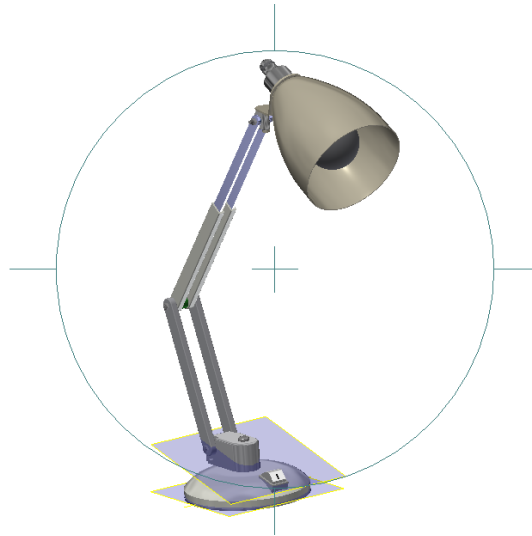




## ASSIGNMENT 7 – YEAR 2



Complete step 1 / 2 and 3

- 1 - Produce an A4 engineering drawing of the Lamp Head Subassembly. Include limits and fits, dimensions, item balloons and a parts list with appropriate drawing numbers and fittings.

Complete the Title Block. And save the drawing as Assignment 7A.dwfx for handing in.

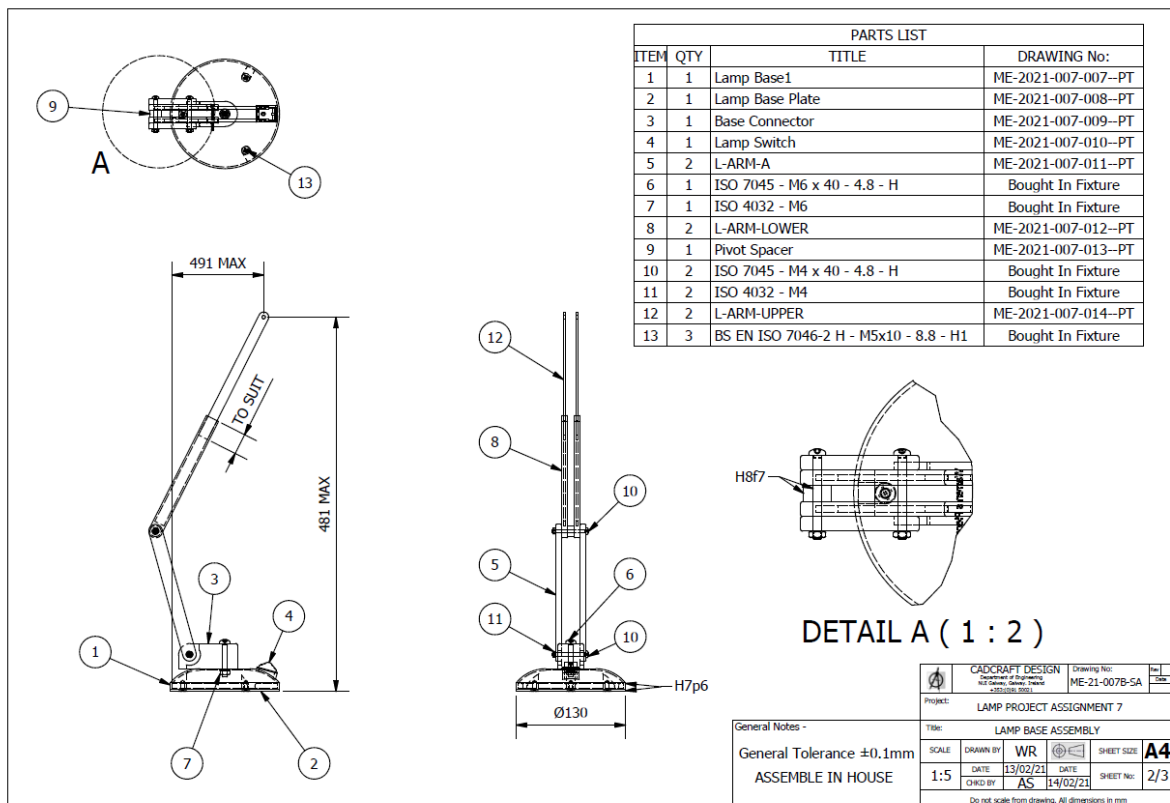
PARTS LIST			
ITEM	QTY	TITLE	DRAWING No:
1	1	L-Bulb Holder	ME-2021-007-001-PT
2	1	L-Shade	ME-2021-007-002-PT
3	1	L-Bulb	ME-2021-007-003-PT
4	1	L- Retaining Nut	ME-2021-007-004-PT
5	1	L-Lamp Bracket	ME-2021-007-005-PT
6	1	L-Head Clamp	ME-2021-007-006-PT

**SECTION A-A**

General Notes - General Tolerance $\pm 0.1\text{mm}$ ASSEMBLE IN HOUSE		Title: LAMP BASE TOP ASSEMBLY Scale: 1:2 Drawn by: WR Date: 13/02/21 Checked by: AS Date: 14/02/21	Project: LAMP PROJECT ASSIGNMENT 7 Drawing No: ME-21-007A-SA Sheet Size: A4 Sheet No: 1/3
--	--	---	--

2 - Produce an A4 engineering drawing of the Lamp Base Subassembly.

Include limits and fits, dimensions, item balloons and a parts list with appropriate drawing numbers and fittings. And save the drawing as Assignment 7B.dwfx for handing in



3 - Produce an A3 engineering drawing of the Lamp General assembly.

Include limits and fits, dimensions, item balloons and a parts list with appropriate drawing numbers. Complete the Title Block.

And save the drawing as Assignment 7C.dwfx for handing in

